

## ABOUT THOMAS & BETTS POWER SOLUTIONS

Thomas & Betts Power Solutions is the leading designer, manufacturer and provider of power quality and reliability products and services marketed under the brand names Cyberex®, Current Technology® and Joslyn®.

Thomas & Betts Power Solutions, LLC is a wholly owned subsidiary of Thomas & Betts (NYSE: TNB).

### **Thomas & Betts** *Power Solutions*

5900 Eastport Blvd., Bldg. V  
Richmond, VA U.S.A. 23231-4453  
Toll free: (800) 238-5000  
Tel: (804) 236-3300  
Fax: (804) 236-4841  
www.tnbpowersolutions.com



Toll free: (800) 238-5000  
www.cyberex.com

© 2007, Thomas & Betts Power Solutions.

Cyberex® is a registered trademark of Thomas & Betts Power Solutions.

Printed in U.S.A. All Rights Reserved.

10.9.07/MC/2.5k

# MISSION CRITICAL POWER DISTRIBUTION MC SERIES



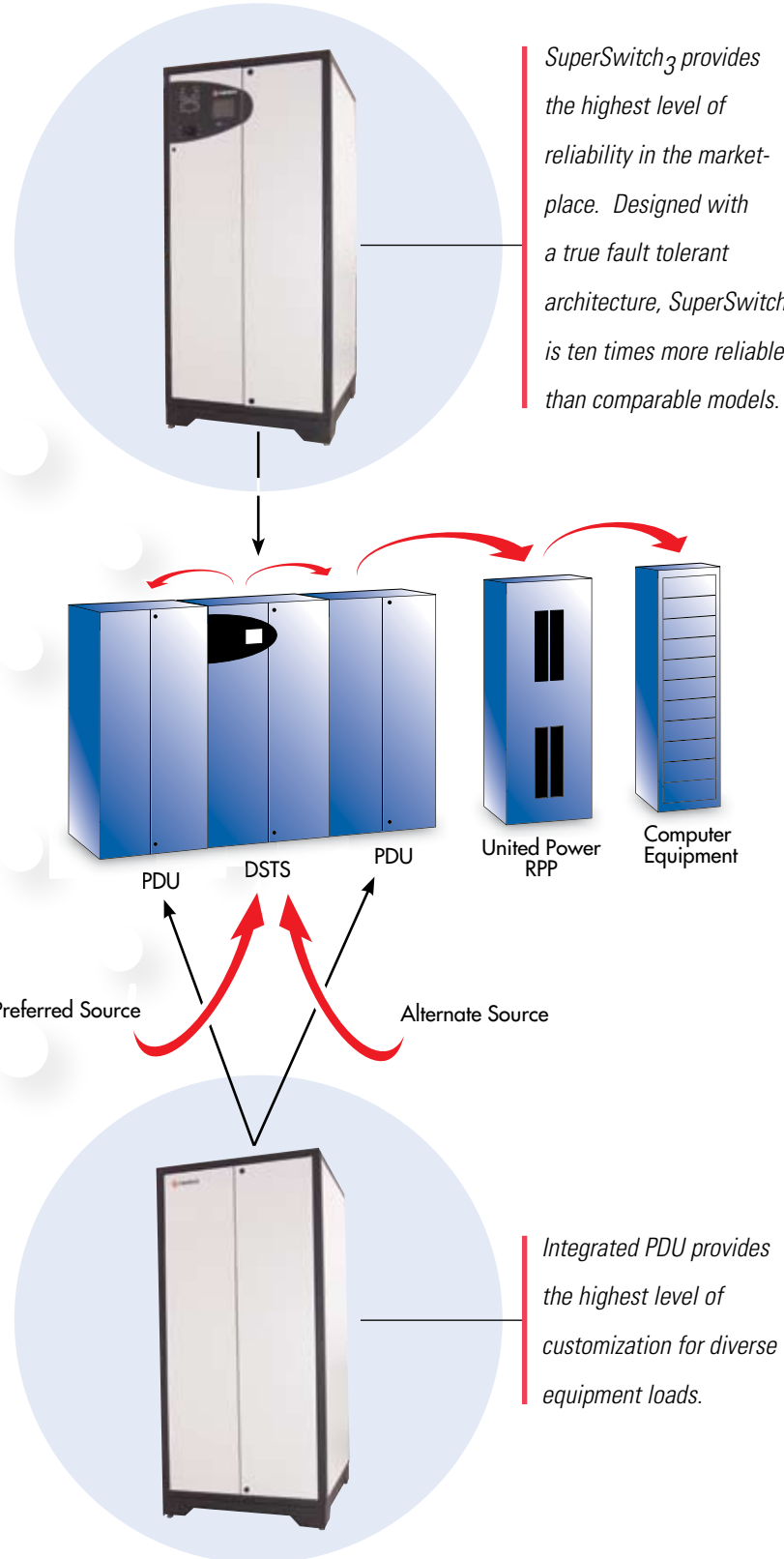
## DID YOU KNOW?

Cyberex invented the first stand-alone STS in 1971 and the first fully digital unit in 1994. Cyberex continues to lead the market with breakthrough technologies.

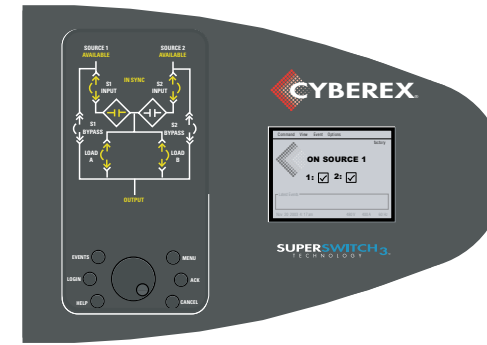
Designed to extend the redundancy from the service entrance to the output distribution circuits, Cyberex's Mission Critical distribution system provides the most reliable and flexible power system. By integrating the Digital Static Transfer Switch and Power Distribution Unit, MC Series provides the highest level of customization for equipment loads and can be easily reconfigured as your facility grows. Coupled with advanced monitoring of the system and individual circuits, the MC Series is the key design element that increases uptime.

### PROVEN COMPONENTS AND PERFORMANCE

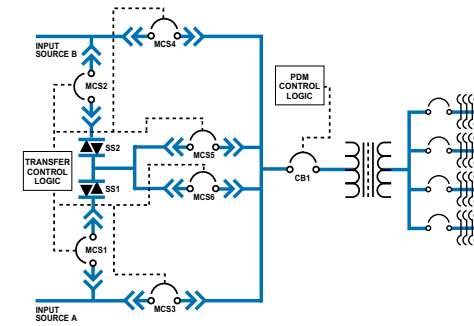
- **Integrated DSTS and PDU** improves reliability and availability of entire critical power system
- **Fault-tolerant DSTS** architecture eliminates single point of failure
- **Dynamic Delay™** provides Inrush Current limitation capabilities for 480V applications
- **Primary or Secondary DSTS** improves application flexibility
- **Software guided breaker operation** on DSTS eliminates human error
- **Multiple panelboard and breaker configurations** offer the highest level of customization for diverse loads
- **Comprehensive system monitoring** improves power management
- **Branch circuit monitoring** (optional) provides enhanced power data collection for each circuit
- **Remote monitoring** interfaces to building management system
- **Compact footprint** maximizes valuable real estate and reduces expensive power cabling costs
- **Easy maintenance access** and low Mean Time To Repair (MTTR) minimize interruption to the critical load



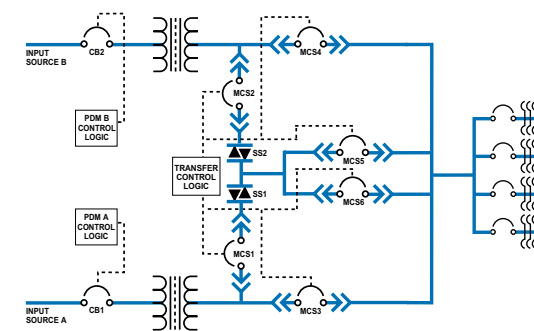
For more information go to [www.Cyberex.com](http://www.Cyberex.com)



Providing triple redundant system status, SuperSwitch<sub>3</sub>'s independent mimic panel, LCD and system LEDs (not shown) quickly provide system information.



MC9 features an input-positioned DSTS, providing 4mS switching between two sources.



MC10 features two main breakers, two impedance-matched transformers and DSTS to create the ultimate mission critical system.

## PRODUCT SPECIFICATIONS

### Electrical

kVA	75-300kVA
Input	3 Phase, 3 Wire + Ground
Input Voltage	208V, 480V @ 60Hz
Output	3 Phase, 4 Wire + Ground
Output Voltage	208/120V, 480/277V @ 60Hz
Transformer Ratings	K13 (std.) K1, K9, K20, K30 (opt.)
Transformer	Copper, Dual Electrostatic Shield
Transformer Temperature Rise	150°C (std.) 80°C, 115°C (opt.)
Transformer Compensation Taps	2 1/2% (4 x FCBN, 2 x FCAN)
Transformer Insulation	220°C
Neutral Rating	200%
Panelboards	2 (84 pole) To 8 (336 pole)
Panelboards – Dual Corded Loads	(opt.) MC10 Models Only
Secondary Main Breakers	225A (One Per Panelboard)
I-line Panel	(opt.) 800A (10 Qty. Circuit Breakers)
Subfeed Distribution Breakers	(opts.) 4 x 225A Or 1 x 400A Circuit Breaker(s)
Input Power Junction Box	(Std.)

### Operating Conditions

Temperature (Operating)	0 to 40°C
Temperature (Storage)	0 to 60°C
Transformer Audible Noise	<60 dBA (maximum)
Maximum Operating Altitude:	8,200 ft (2,500 m)
Operating Efficiency	98%

### General

SCR	Fully Rated, Hockey-Puck Type
Cooling	PDU – Convection; STS – Dual Redundant Fans
LCD	PDU – 80 Character; STS – Graphical Backlit
STS Power Supplies	Triple Redundant
STS Internal Bus	Dual Redundant
STS TVSS	80kA
Grounding	Single Point

### Communications

Password Protection	Defined User Tiers
Remote Access	RS232, RS485
STS Event Types	Information, Warnings and Alarms
STS Alarm Notification	Email (or Email to Pager)
Emergency Power Off	Remote (std.) Local (opt.)
STS Relay Contacts	5 (std.)

### Power and Event Management

Metering	kVA, kW, Ipeak, Phase, Current, Voltage, Frequency Power Factor, kVA Demand, THD Percent Load, Sag, Surge, Transient
Event Alarm Log	2500 Events

### Options

Branch Circuit Monitoring	Yes
Subfeed And Branch Circuit Breakers	Custom Configurations
Dual Impedance Matched Transformers	MC9 (opt.) MC10 (std.)
Harmonic Mitigating Transformers	Consult Factory
Lightning Arrestor	Yes
Sidecars	Configuration Dependent

### Standards

NEMA	All Applicable Standards
UL	PDU – UL 478 Listed or Compliant; STS – 1008 Listed
FCC	FCC Compliant (part 15)
NEC	All Applicable Standards
ANSI	C62.41

### Dimensions

Height	76 in (193 cm)
Depth	34 in (86 cm)
Width	Consult Factory
Weight (MC9)	2,500 lbs (1,137 kg) to 3,900 lbs (1,773 kg)
Weight (MC10)	3,200 lbs (1,455 kg) to 6,700 lbs (3,046 kg)

## DID YOU KNOW?

Cyberex has over 30 years of experience, more than any other manufacturer