

## Electrical

kVA	75-300kVA
Input	3 Phase, 3 Wire + Ground
Input Voltage	208V, 480V @ 60Hz
Output	3 Phase, 4 Wire + Ground
Output Voltage	208/120V 480/277V @ 60Hz
Transformer Ratings	K13 (std.) K1, K9, K20, K30 (opt.)
Transformer	Copper, Dual Electrostatic Shield
Transformer Temperature Rise	150°C (std.) 80°C, 115°C (opt.)
Transformer Compensation Taps	2 1/2% (4 x FCBN, 2 x FCAN)
Transformer Insulation	220°C
Neutral Rating	200%

## Operating Conditions

Temperature (Operating)	0 to 40°C
Temperature (Storage)	0 to 60°C
Transformer Audible Noise	<60 dBA (Max.)
Maximum Operating Altitude	8,200 Ft (2,500 M)
Operating Efficiency	98%

## General

SCR	Fully Rated, Hockey-Puck Type
Cooling	PDU – Convection STS – Dual Redundant Fans
LCD	PDU – 80 Character STS – Graphical Backlit
STS Power Supplies	Triple Redundant
STS Internal Bus	Dual Redundant
STS TVSS	80kA

## Communications

Password Protection	Defined User Tiers
Remote Access	RS232, RS485
STS Alarm Notification	Email (or Email to Pager)
Emergency Power Off	Remote (Std.) Local (Opt.)
STS Relay Contacts	5 (Std.)

## Power and Event Management

Metering	kVA, kW, Ipeak, Phase, Current, Voltage, Frequency, Power Factor, kVA Demand, THD, Percent Load, Sag, Surge, Transient
Event Alarm Log	2500 Events

## Standards

NEMA	All Applicable Standards
UL	PDU – UL 478 Listed or Compliant STS – 1008 Listed
FCC	FCC Compliant (Part 15)
NEC	All Applicable Standards
ANSI	C62.41

# MISSION CRITICAL

## POWER DISTRIBUTION

ZF SERIES



5900 Eastport Blvd., Bldg. V  
 Richmond, VA U.S.A. 23231-4453  
 Toll free: (800) 238-5000  
 Tel: (804) 236-3300 • Fax: (804) 236-4841  
 Email: [Info@DanaherPowerSolutions.com](mailto:Info@DanaherPowerSolutions.com)  
[www.DanaherPowerSolutions.com](http://www.DanaherPowerSolutions.com)

Toll free: (800) Cyberex, (800) 292-3739  
 Email: [Cyberex@Danaher-DPS.com](mailto:Cyberex@Danaher-DPS.com)  
[www.Cyberex.com](http://www.Cyberex.com)

© 2006, Danaher Power Solutions, LLC. Cyberex® is a registered trademark of Danaher Power Solutions, LLC. SuperSwitch™ is a trademark of Danaher Power Solutions, LLC. All other brand and product names are trademarks or registered trademarks of their respective companies.

Printed in U.S.A. All Rights Reserved.

Source4/4.15.06/ZF



## DID YOU KNOW?

Cyberex invented the first stand-alone STS in 1971 and the first fully digital unit in 1994. Cyberex continues to lead the market with breakthrough technologies.

## MISSION CRITICAL POWER SWITCHING AND DISTRIBUTION IN ONE INTEGRATED CUSTOM SYSTEM – ZF SERIES BY CYBEREX

Cyberex's Zero Footprint 'ZF' System combines dual path computer-grade power transformation and grounding, automatic dual source digital switching, system monitoring, and distribution, all in a single, factory tested system. Installation time, costs, and errors are reduced in this factory tested system.

Cyberex, the industry leader in Digital Power Switching Systems, offers you its Super SwitchTechnology in a custom configured distribution package. This integrated system provides the performance and features of a custom multi-cabinet design in a smaller, more reliable package. The ZF series frees up valuable floor space for your facility while its factory assembly and testing enhance the reliability of your overall system.

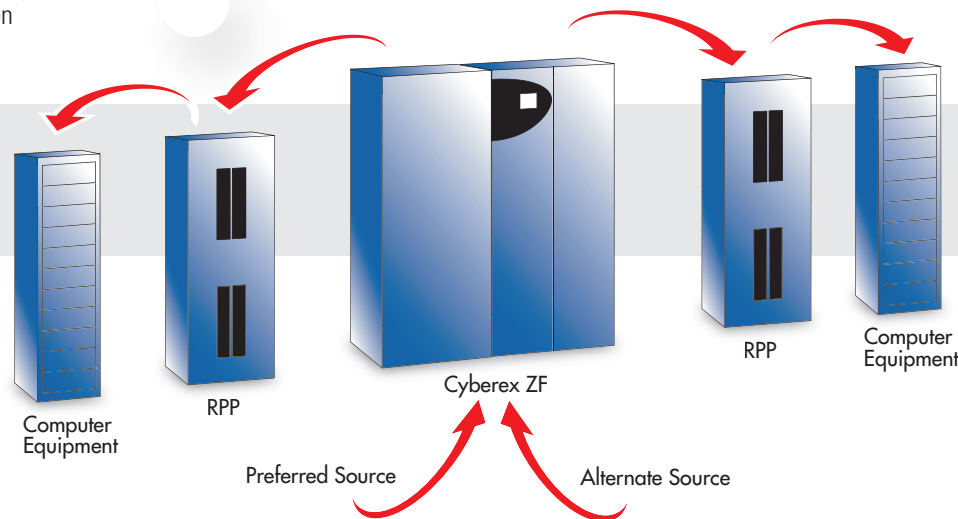
### PROVEN COMPONENTS AND PERFORMANCE

- **Integrated DSTS and Distribution** improves reliability and availability of your critical power system
- **Compact Footprint** maximizes your usable real estate compared to conventional multi-cabinet solutions
- **Secondary DSTS** architecture takes redundancy closer to your loads – reduces potential failure points
- **Configurable Output Distribution** allows for system to meet your specific needs – can be packaged to accommodate any downstream distribution requirements
- **Software Guided System Operation** of DSTS eliminates the potential for operator error
- **SuperSwitch Operator Interface** does not compromise reliability or ease of use
- **Remote Monitoring** of local information is available in multiple variations to interface with your specific management system
- **Easy Access Design** minimizes time required to maintain system in optimum condition

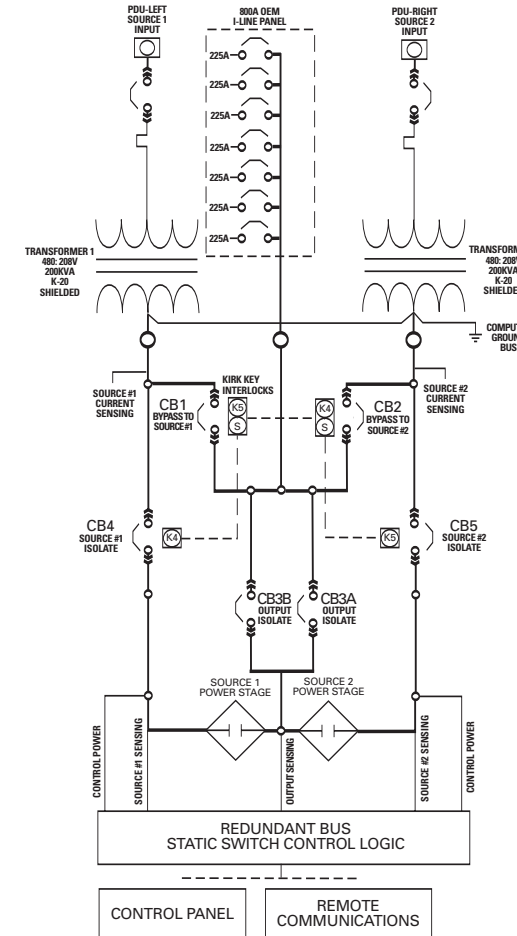


Front view of Zero Footprint showing system modularity

ZERO FOOTPRINT PROVIDES ADDED RELIABILITY TO ANY ARCHITECTURE



Navigate and control the SuperSwitch with confidence using a rotary mouse and triple redundant system status display; active mimic panel, LCD and LED indication.



The Zero Footprint Series features two main breakers, two impedance-matched transformers and DSTS to create the ultimate mission critical system.

## PRODUCT FEATURES

### Standard

Dual Input K Rated Computer Grade Isolation Transformers
100% Continuous Duty Rating
Digital Signal Processor Based, Fully Digital Switching Controls
(6) Plug-In Circuit Breaker Configuration
Dual Maintenance Bypass Design
Redundant Output Distribution Breakers
Key Interlocking for Safety and Accuracy
Comprehensive System Interface Panel
Operator Guided Bypass Controls
System Mimic Display
LCD Display
2500 Real-Time Event & Alarm Log
Transfer Counter
Metering Display of kVA, kW, Ipeak, Phase, Voltage & Frequency
Multiple Layers of Password Protected Controls

### Optional

Modbus Communications Interface
Dynamic Inrush Restraint
Up to (2) I-Line Output Distribution Panelboards
Up to (4) 42 Circuit Output Panelboards
Output Distribution Breaker Monitoring

### OPERATING PARAMETERS

Input Voltage	208/380/400/415/480/600V
Output Voltage	208V
Frequency	50 or 60Hz
Automatic Sense & Transfer Time	Less Than 4ms

### PHYSICAL DIMENSIONS

Output Distribution	kVA/Amps	Output Voltage	Dim. (WxDxH)
(2) Output Breakers	144kVA/400A	208V	92"W x 36"D x 78"H
Up to (10) Output Breakers	216kVA/600A		103"W x 36D x 78"H
Up to (20) Output Breakers			126"W x 36"D x 78"H

## DID YOU KNOW?

Cyberex has over 30 years of experience, more than any other manufacturer.

For more information go to [www.DanaherPowerSolutions.com](http://www.DanaherPowerSolutions.com)